

Kathrein's X-polarized antennas are designed for use in digital polarization diversity systems.

- X-polarized (+45° and -45°).
- UV resistant fiberglass radomes.
- Wideband vector dipole technology.
- DC Grounded metallic parts for impulse suppression.

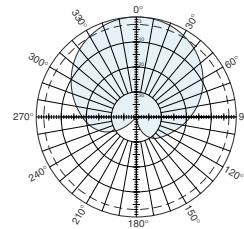
**General specifications:**

Frequency range	790–960 MHz
Front-to-back ratio	>25 dB (180°±30°)
Impedance	50 ohms
Intermodulation (2x20w)	IM3: <-150 dBc
Polarization	+45° and -45°
Maximum input power	500 watts per input (at 50°C)
Connector	2 x 7-16 DIN female
Isolation	>30 dB
Weight	20.3 lb (9.2 kg)
Dimensions	76.1 x 10.2 x 3.9 inches (1934 x 259 x 99 mm)
Wind load	at 93 mph (150kph)
Front/Side/Rear	156 lbf / 70 lbf / 205 lbf (690 N) / (310 N) / (910 N)
Wind survival rating*	120 mph (200 kph)
Shipping dimensions	81.3 x 11.5 x 7.6 inches (2066 x 292 x 192 mm)
Shipping weight	24.3 lb (11 kg)
Mounting	Fixed and tilt mount options are available for 2 to 4.6 inch (50 to 115 mm) OD masts.

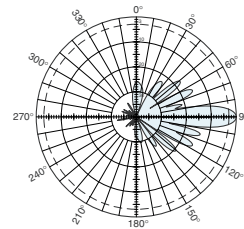
See reverse for order information.

\* Mechanical design is based on environmental conditions as stipulated in TIA-222-G-2 (December 2009) and/or ETS 300 019-1-4 which include the static mechanical load imposed on an antenna by wind at maximum velocity. See the Engineering Section of the catalog for further details.

Specifications:	790–862 MHz	824–894 MHz	880–960 MHz
Gain	16.4 dBi	16.6 dBi	16.9 dBi
VSWR	<1.5:1	<1.5:1	<1.4:1
+45° and -45° polarization horizontal beamwidth	69° (half-power)	67° (half-power)	65° (half-power)
+45° and -45° polarization vertical beamwidth	9.9° (half-power)	9.5° (half-power)	8.9° (half-power)
Sidelobe suppression for first sidelobe above horizon	>13 dB	>15 dB	>15 dB
Cross polar ratio			
Main direction 0°	>22 dB	>22 dB	>22 dB
Sector ±30°	>18 dB	>18 dB	>18 dB
Sector ±60°	>14 dB	>14 dB	>14 dB



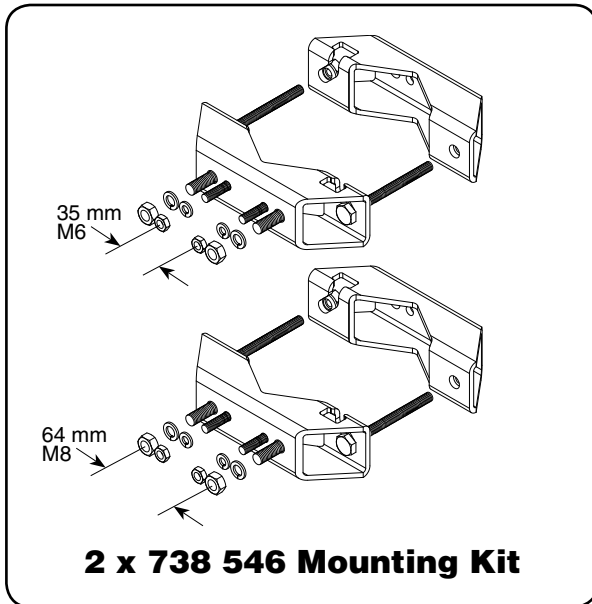
Horizontal pattern  
±45°- polarization



Vertical pattern  
±45°- polarization

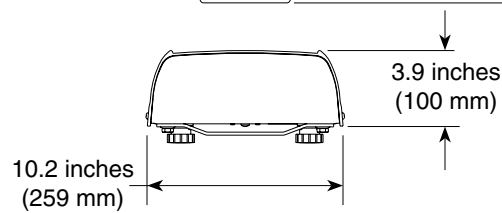
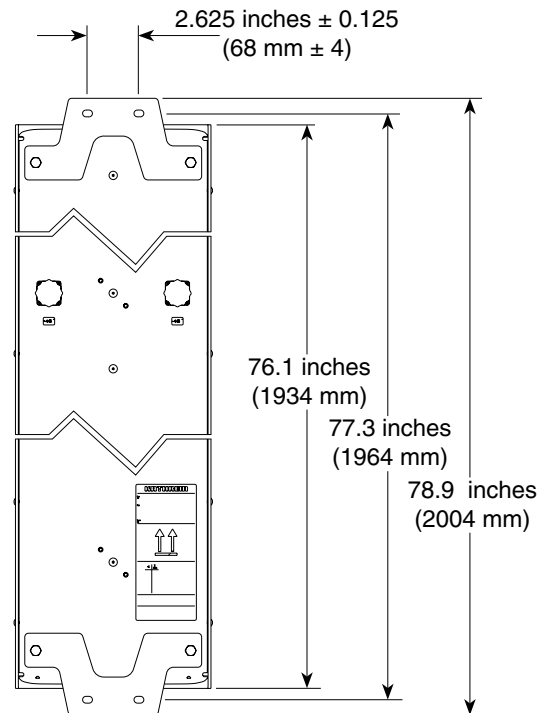


10831-E  
936.3552/a

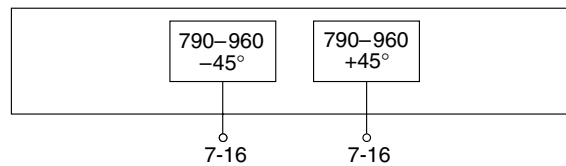


**Mounting Options:**

Model	Description
2 x 738 546	Mounting Kit for 2 to 4.6 inch (50 to 115 mm) OD mast.
850 10013	Tilt Mount Kit 0–11 degrees downtilt angle.



Profile PC2



**Order Information:**

Model	Description
800 10203	Antenna with 7-16 DIN connectors

All specifications are subject to change without notice. The latest specifications are available at [www.kathrein-scala.com](http://www.kathrein-scala.com).